

Quick Installation

PeopleLink Impact Pro

Product Manual | Edition | Release 082017 | PPL-MC-PUB-UM-PEP-PIS-HXP



(English Version)

Please read this Manual before setting up Impact-Pro and stick to its requirements strictly for Safety reason. Suggest you save this manual for further inquiries reference.

2017 PeopleLink Unified Communications Pvt. Ltd. All rights reserved.

PeopleLink Unified Communications Pvt. Ltd.

Q3-A3, 10th Floor, Cyber Towers, Hitech City

Madhapur, Hyderabad - 500081

India

No part of this document may be reproduced or transmitted in any form or by any means, electronic or mechanical, for any purpose, without the express written permission of PeopleLink. Under the law, reproducing includes translating into another language or format. As between the parties, PeopleLink, retains title to and ownership of all proprietary rights with respect to the software contained within its products.

Therefore, you must treat the software like any other copyrighted material (e.g., a book or sound recording). Every effort has been made to ensure that the information in this manual is accurate. PeopleLink, is not responsible for printing or clerical errors. Information in this document is subject to change without notice.

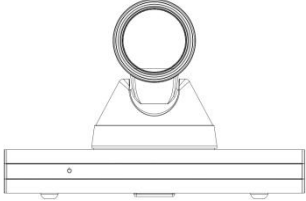


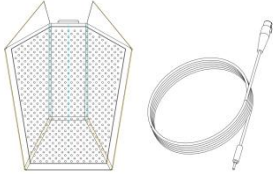

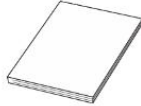
Contents

Packing List.....	4
Introduction.....	5
Appearance.....	5
Parameters.....	6
Installation.....	7
Cable Connections.....	8
Layout Details.....	9
Power On.....	9
Basin Info.....	10
Language Setup.....	10
Time and Date Setup.....	10
Network Setup.....	10
System Account Settings.....	11
H.323 Account Settings.....	11
SIP Account Settings.....	12

Packing List

•Note:

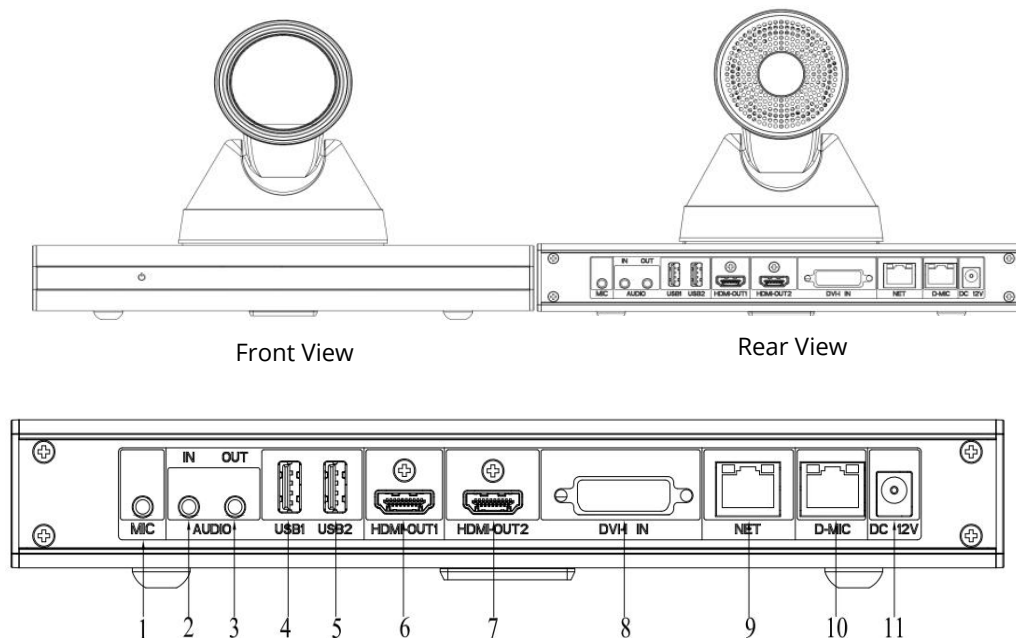
Please check all the following items after opening the packages.

 <p>HD Video Conference Terminal (x1): Encodes and decodes audio & video to deliver high quality AV communication.</p>	 <p>Power supply adapter and power cord (x1): Supply power to the terminal.</p>	 <p>Remote controller (x1): Set up the terminal, manage meetings and control cameras.</p>
 <p>Microphone (x1): Collect audio signals during the conference. Audio Cable (x1): XLR cable</p>	 <p>HDMI Cable (x1, 1.5 meters): Connect the terminal to video device.</p>	 <p>Quick Installation Guide, Quick Start Guide, Administrator Guide (x1)</p>


Introduction

The Impact Pro terminal is a compact and powerful HD Video Conference System. With built-in system design, the terminal supports HD codec, H.323 and SIP protocols at 1080P. Featuring independent design for convenient and quick installation, the terminal can be connected to networks, microphones and TV sets for communications by simply plugging in the power supply. The terminal is available for mutual transmissions between audio and video, which can save conference time and cost, improve work efficiency, and deliver face-to-face experience on video conference interaction and all directional communications.

Appearance



No.	Interface	Function
1	MIC	Plug a microphone into the microphone connector to receive audios.
2	AUDIO IN	3.5mm headphone jack for audio input and audio reception via connection to PC and cellphones.
3	AUDIO OUT	3.5mm headphone jack for audio output by connecting audio devices into AUDIO OUT connector.
4	USB1	Connection to external USB devices such as USB drive, mouse and keyboard, etc. for upgrades and controls.
5	USB2	Connection to external USB devices such as USB drive, mouse and keyboard, etc. for upgrades and controls.

6	HDMI OUT1	Use HDMI cable to connect HD TV set to HDMI OUT1 (also with audio output)
7	HDMI OUT2	Use HDMI cable to connect HD TV set to HDMI OUT2.
8	DVI-I IN	Connection to secondary video input device such as PC. Use DVI cable to connect PC or secondary video source to DVI-I IN input connector. Press  button on the remote control to send secondary video source to the terminal.
9	NETWORK	Use the network cable to connect the terminal to the Internet.
10	D-Mic	Plug D- microphone into the microphone connector to receive audios.(Not support at present)
11	DC+12V	Connection to matched power supply adapter.

Parameters

Type	Item	Parameters
Electric Features	Work Voltage	100V AC~240V AC, 50Hz~60Hz; 12VDC
	Power Consumption	Max. Consumption: 24W
Environment Requirement	Operating Status	
	Temperature	0°C ~ 40°C
	Humidity	10% ~ 80%
	Ambient Noise	Less than 46dBA SPL
	Standby or Power off Status	
	Temperature	-40°C ~ 70°C
	Humidity	0% ~ 95%
Physical Features	Dimensions	239.4mm(W) × 148.4mm(H) × 157mm(D)
	Weight	1.7kg

Installation

The terminal can be placed on desk surface or mounted to TV sets or walls. The following pictures show how to mount the terminal on TV sets (Fig.1) and walls (Fig.2).

Note: mounting brackets are not included in the packing list.

Fig.1 How to mount the terminal on TV sets

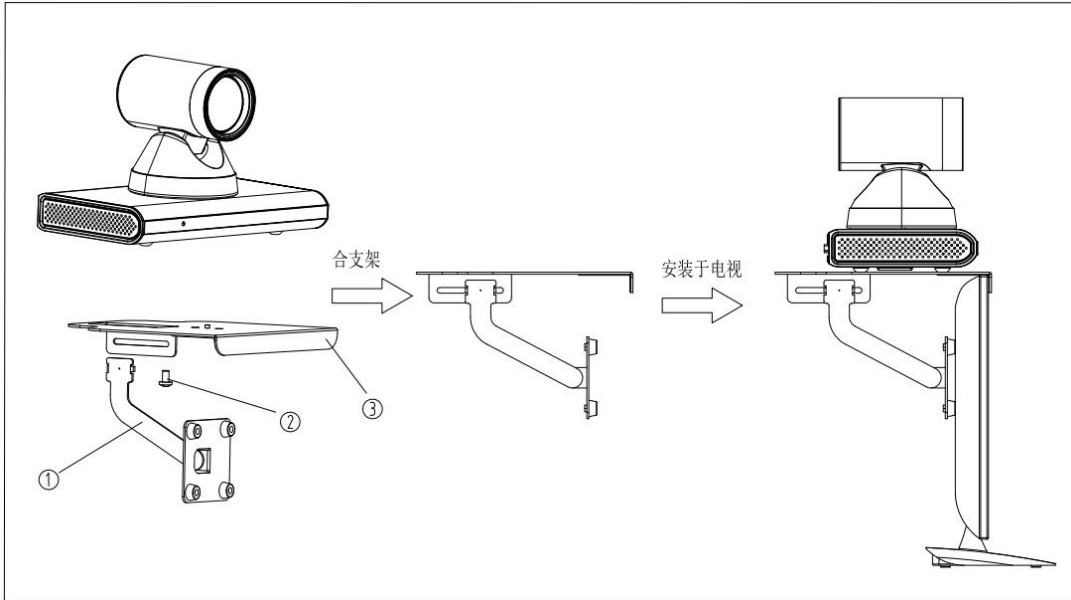
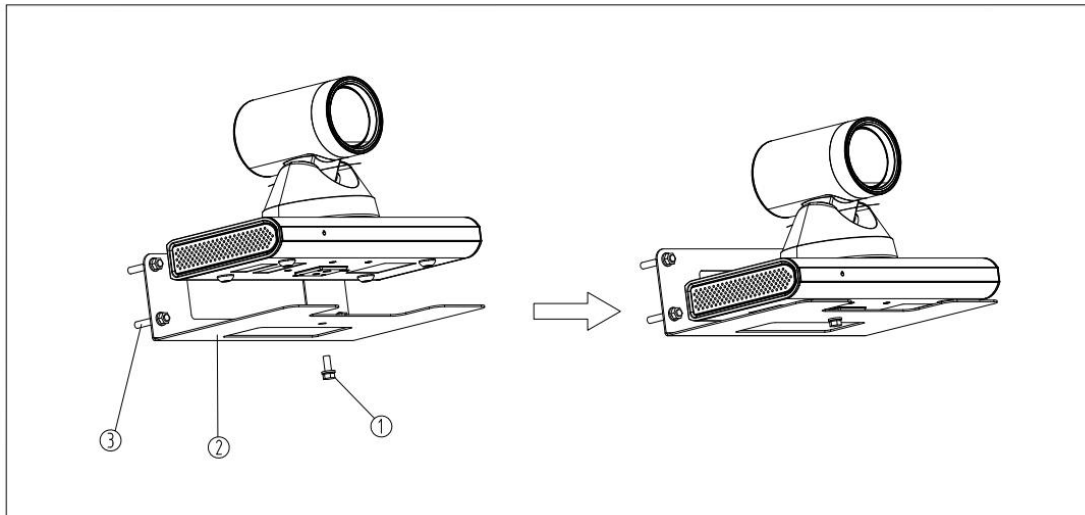


Fig.2 How to mount the terminal on room walls

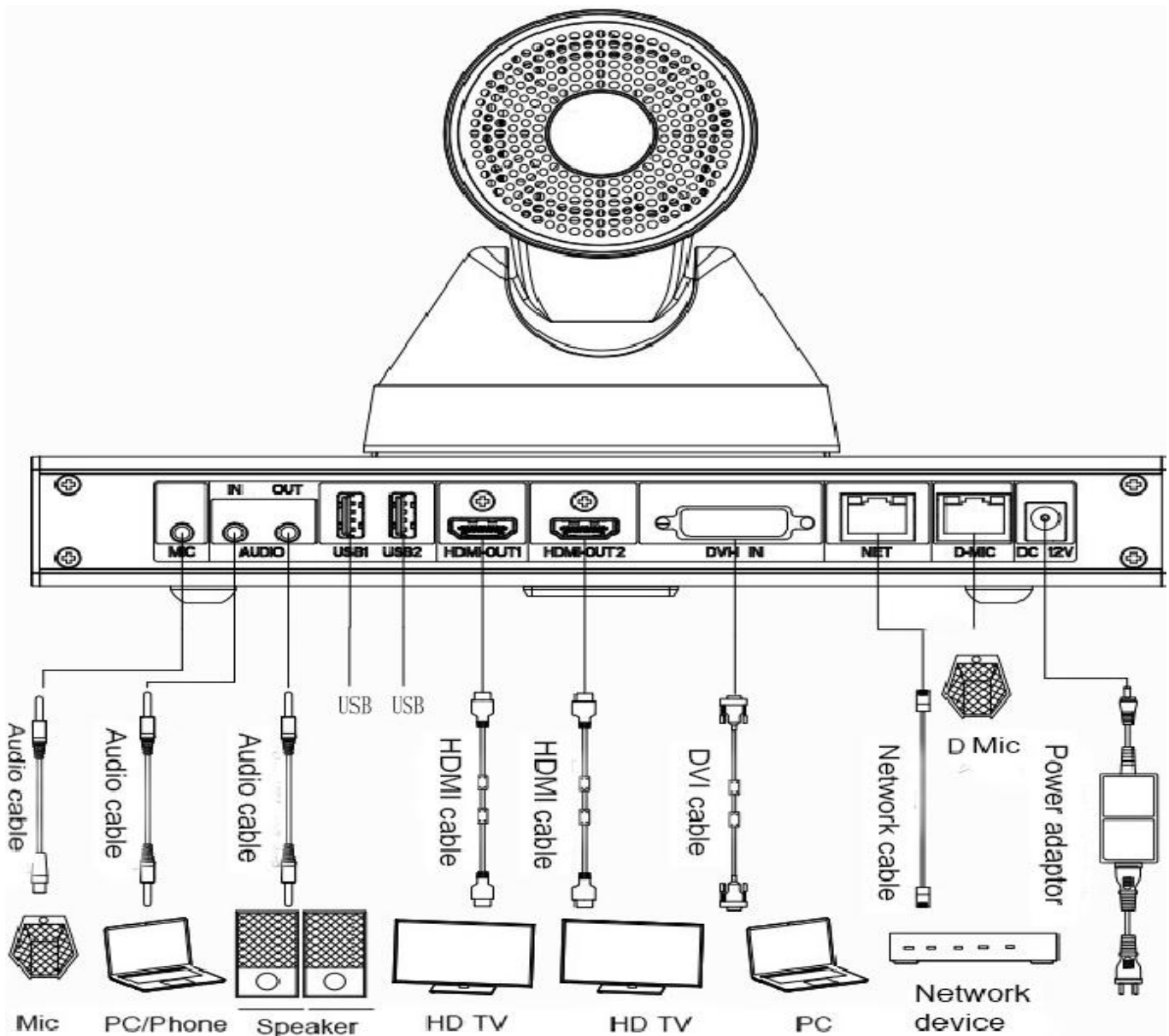


Note

1. If the terminal is placed on a desk, please make sure the desk is stable and watch out for slippery surface.
2. If the terminal is mounted on TV sets, please use proper screws for the mounting depending on TV thickness.
3. Adjust the terminal direction to avoid direct light source. It is suggested to put the terminal towards the meeting participants.

■ Cable Connections

Please get to know the rear interface details before connecting cables. just simply take the following cable layouts for your reference and connect cables based on real conditions.



Layout details:

- Primary Video Input: connect an external camera to HDMI-IN.
- Secondary Video Input: connect a set of PC to the DVI-I IN by using a DVI cable
- Audio Input: connect a microphone to the MIC by using a XLR adapter.
- Audio Device Input: connect an audio device to AUDIO IN by using a 3.5 headphone cable.
- Primary Video Output: connect an external display device to HDMI OUT1 by using a HDMI cable.
- Audio Output: connect an external display device to HDMI OUT1 by using a HDMI cable or connect a speaker to AUDIO OUT by using a 3.5mm audio cable.
- Secondary Video Output: connect an external display device to HDMI OUT2 by using a HDMI cable.
- Network Connection: use a network cable to connect network port for Internet access.
- Power Supply Connection: connect a power adapter to the DC+12V connector and a power socket.

Power On

Please connect all devices to the terminal before switching on power supply.

•Attention:

- Do not let the power supply cable detach from the terminal in order to avoid power shortage when it is powered on.
- Please turn off the terminal before cutting off external power supply (e.g. socket power). Please check if power cables and power adapters are correctly connected to related devices.
- Please make sure the AC voltage range is within 100V-240V and frequency is 50Hz or 60Hz.
- The sequence of live line, null line and PE should be in right order and related voltage tolerance should be within international standard. PE should be properly linked to the ground.

Arrange cable layouts in accordance with the above picture and connect adapter to power supply by using HDMI OUT1 as output interface, a. Press POWER button (green indicator always lit), the terminal is turned on and main menu will show up.

After the terminal is turned on, its indicators are shown as below:

Status	Description
Green power indicator always lit	Work in progress
Orange power indicator always lit	System turned off but power supply still on
Power indicator off	Power supply cut off
Infrared indicator flashes green	Receiving infrared signals

Basic Info

Language Setup

1. Select "Settings" in the main menu and enter "Settings->Network->Network Settings->Language" for different language settings.
2. Select "English", "Chinese (CN)", "Chinese (TW)", "Polish" or "Japanese" and return to setting menu.

Time and date setup

1. Select "Settings" in the main menu and select "Network" for network setup.
2. Move down the menu and select "Time and Date" for time setup.

Parameters	Descriptions
Time Zone	Set up time zone in the user's area.
Time Server	Set up NTP time server.
Auto Synch	Set up auto synch
24-hour format	Set up 24-hour format
Date Format	Set up sequence of day, month and year
Back	Save setup and back to network

Network Setup

1. Select "Settings" in the main menu and select "Network" for setup.
2. Select "Ethernet Settings"

Parameters	Descriptions
Network Type	Manual Setup: enter the IP, mask and gateway address distributed by network administrator. DHCP: Acquire IP automatically
IP	IP address
Mask	Mask address
Gateway	Gateway address
DNS	Domain Name Server
Save	Save network settings and get back
Cancel	Cancel network settings and get back

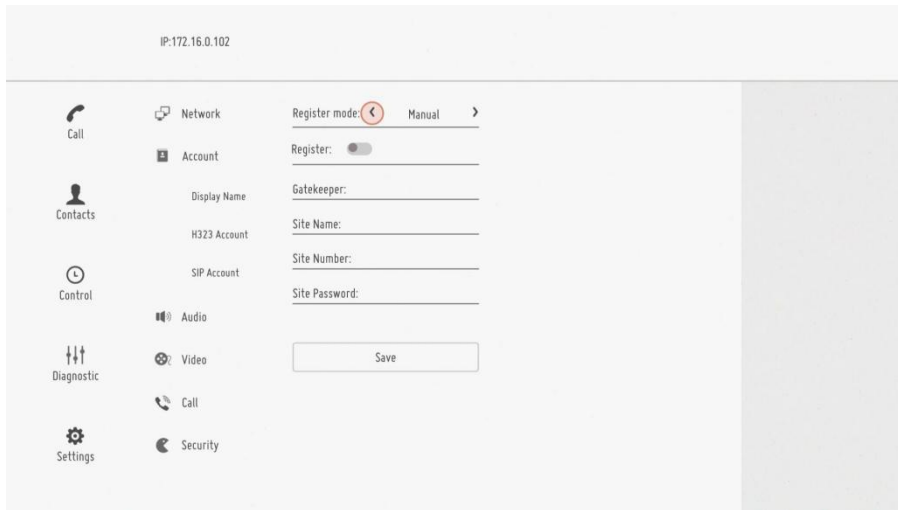
System Account Settings

1. Select "Settings" in the main menu and select "Account".
Select "Display Name", enter "System Name" and select "Save".

H.323 account Settings (optional)

Set up the terminal's H323ID and number. Specify GK address and get GK registered in order to use a set of numbers to start conference calls or other communications.

1. Select "Settings" in the main menu and select "Account" for account setup.
2. Select "H.323 account" and confirm for further setup.



Parameters		Descriptions
Setup Mode		Manual setup,, PeopleLink Application / Cloud
PeopleLink Application/Cloud		In this mode, enter correct PeopleLink Application/Cloud account and password to automatically acquire H.323 info.
Manual Settings	GK Server	IP address or DNS of GK
	Register Name	Set up registered account or name
	No.	Other names of the terminal or E.164 number (optional)
	Password	GK register password setup
	Save	Save settings and return to setting menus.

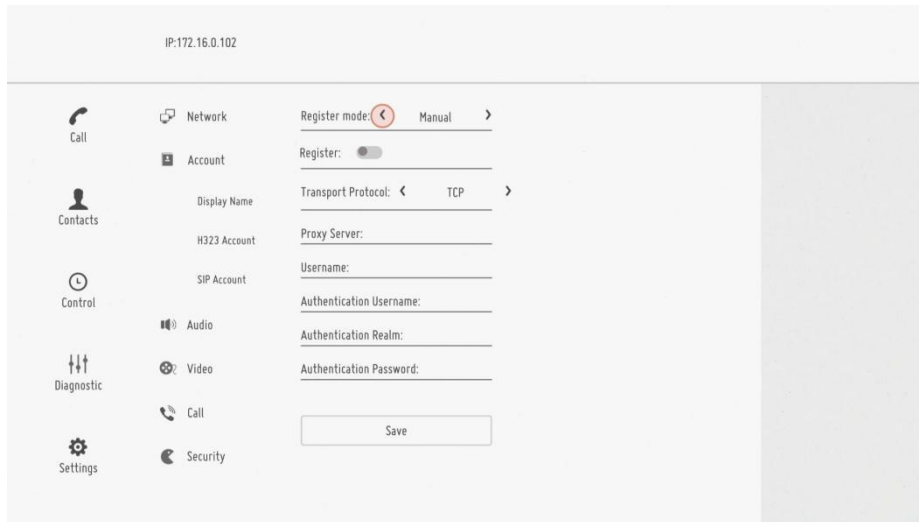
➤ **Note:**

1. If GK is activated, the account will be registered in GK after system starts. After the terminal is successfully registered, users can use it for conference call.
2. If GK is not activated, the terminal will not be registered in GK and can only make conference call through IP address.

SIP Account Settings (Optional)

Set up SIP parameters and SIP address for remote interactions through registered numbers.

1. Select “Settings” in the main menu and select “Account” for setup.
2. Select “SIP Account” and confirm for further setup.



Parameters		Descriptions
Setup Mode		Manual setup,, PeopleLink Application / Cloud
PeopleLink Application/Cloud		In this mode, enter correct PeopleLink Application/Cloud account and password to automatically acquire H.323 info.
Manual Settings	Protocol	TCP, UDP, optional
	SIP Proxy server	IP or DNS of SIP proxy server (optional)
	User Name	Set up user name or SIP URI
	User Name Authentication	Set up User Name Authentication (optional)
	Password Authentication	Set up Password Authentication (optional)
	Domain Authentication	Set up Domain Authentication
	Save	Save setups and return to setting menu
	The terminal can only register SIP server when SIP is active; otherwise the terminal will not be registered or log off from SIP server.	

