

PeopleLink PVC 50 WS Cascade 3C

User Manual

(English Version)

Please read this Manual before setting up PVC 50 WS Cascade 3C and stick to its requirements strictly for Safety reason. Suggest you save this manual for further inquiries reference.

Product Overview

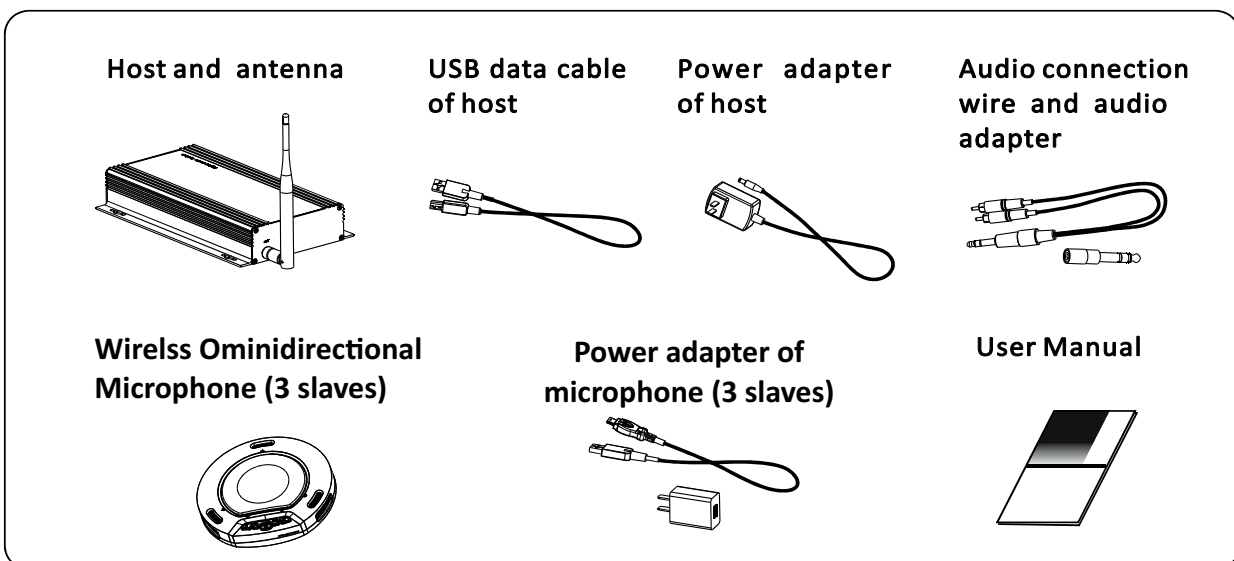
First of all, we appreciate you choosing and using our conference telephone. The conference telephone with wireless omnidirectional microphone is ideal for high-end network audio and video conference, which is applicable to various hardware video conference systems such as education and training system, network monitoring system, remote medical system, smart city system and conference recording and broadcasting system in addition to software video conference systems such as video system of large-screen all-in-one machine and voice and video calling application including Skype and QQ.

According to different indoor conference scenes, several palm-sized wireless omnidirectional microphone slaves can be moved easily and placed in different pickup positions. The wirelessly connected telephone conference which is composed of palm-sized wireless omnidirectional microphone slaves and USB network host which can be externally connected to active loudspeaker makes the voice effects of each conference communication clear and natural.

Main Functions of Products

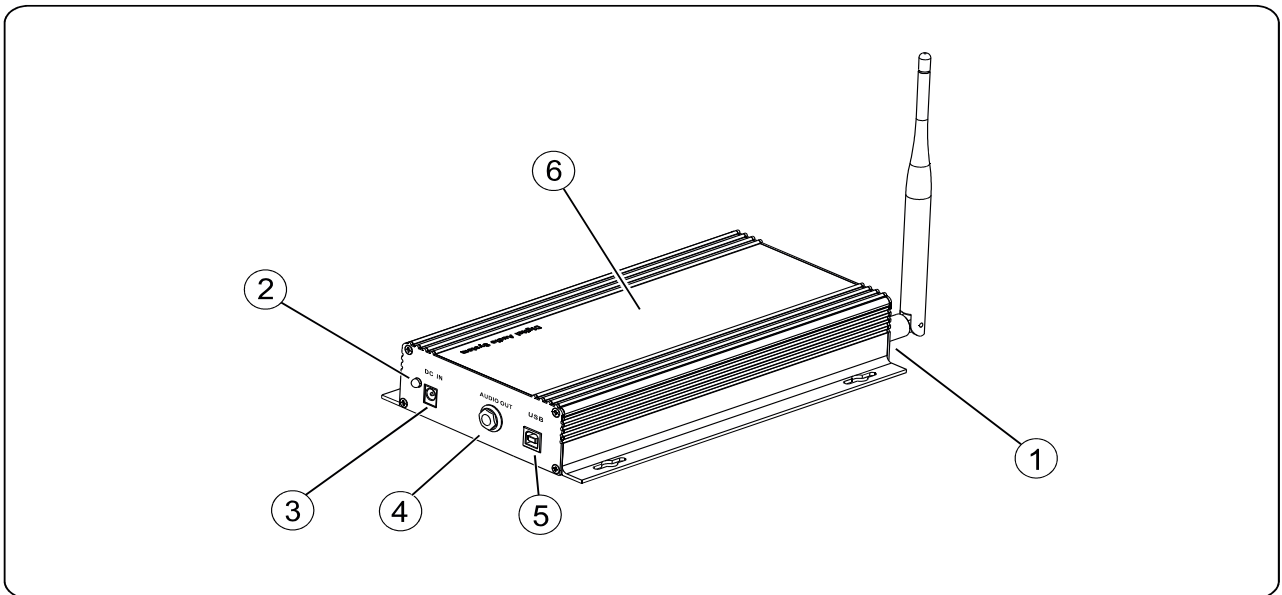
- 1) Wireless digital technology which supports multi-frequency intelligent frequency hopping and strong anti-jamming technology.
- 2) Digital microphone technology, broadband loudspeaker output technology and speech enhancement technology.
- 3) It does not need driving program in USB mode, and supports Windows and other operating systems.
- 4) Host has a USB data interface which is used to connect the host to network computer devices.
- 5) Host has an audio output interface which is used to connect the host to active loudspeaker and audio processing devices.
- 6) Power supplied by the built-in battery of slave, intelligent power-saving mode and simple USB charging.
- 7) Second-generation intelligent echo cancellation technology.
- 8) Built-in echo cancellation, noise cancellation, automatic gain control and other algorithms.

Packing List



Instruction for Host

I. Structure and function of host



- ①— Antenna socket and rotary antenna:
Socket is used to connect rotary antenna which is used to send and receive information data wirelessly.
- ②— Indicator light of host:
It is used to indicate various operating states.
- ③— Power socket:
It is externally connected to the power adapter of host to supply the power to host.
- ④— Audio output socket with diameter of 6.5 mm
It is used to connect the received sound signal of loudspeaker to active loudspeaker for sound amplification.
- ⑤— B-type USB data socket:
Make connection by USB data connection wire and network computer devices.
- ⑥— Host shell:
Adopt metal material to protect host.

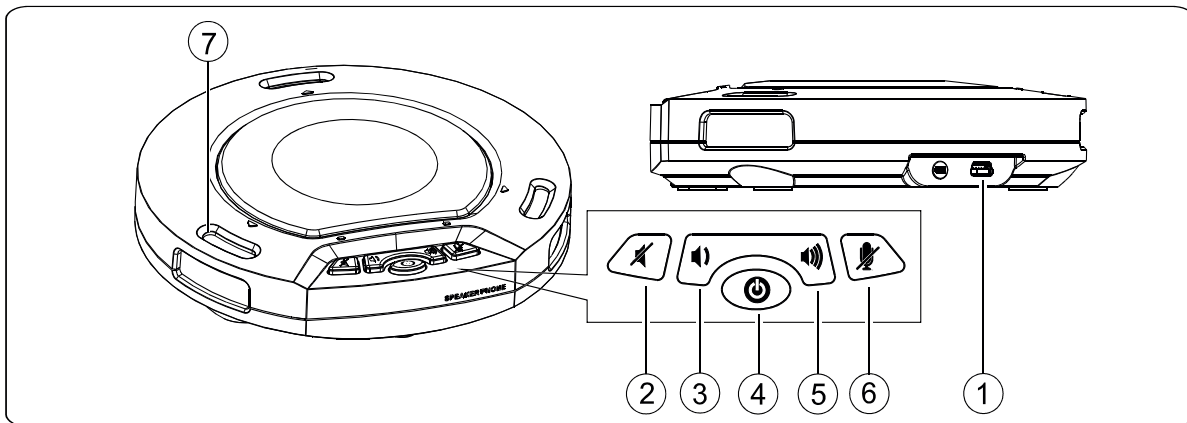
II. Indicator light of host

The light is used to indicate various operating states:

1. If host is plugged in, red light will be on once; if yellow light on the host flickers, it indicates that it is waiting for slave connection; once it is successful to wirelessly connect the host to any slave, yellow light will be on for a long time.
2. When you press the loudspeaker mute button of slave, the slow flashing of red light indicates that the sound from the audio interface of host to active loudspeaker device is switched off; when you press the button again, loudspeaker mute function is discharged if the slow flashing of red light turns to long yellow light.

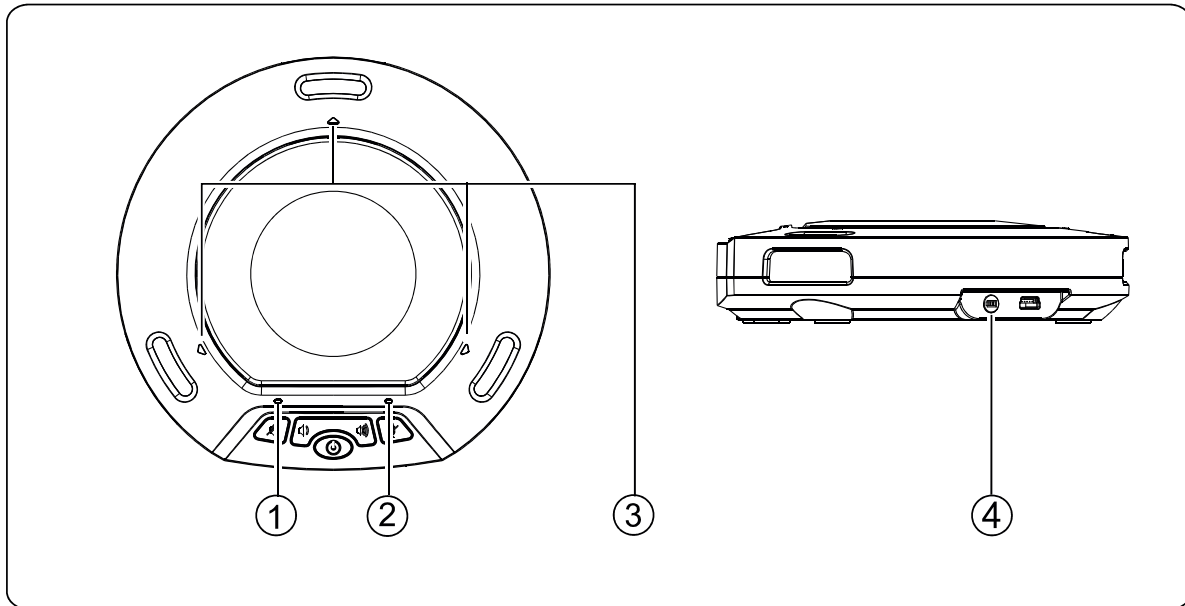
Wireless microphone host

I. Structure and function of slave



- ①— USB external power socket:
It is connected to the power supply of slave power adapter to charge built-in batteries.
- ②— Loudspeaker mute button:
If pressing the button, you can temporarily shut down the sound signal from the audio output interface of host to active loudspeaker. If you need to open the sound of loudspeaker, please the button again.
- ③— Volume-down button:
If you press the button in proper order, the volume of active loudspeaker will gradually decrease; keeping the button can continuously turn down the volume of loudspeaker.
- ④— On/Off button:
If pressing the button for a long time, you can turn the slave on to make it in stand-by state or wireless connection; you will shut the slave down if pressing the button for a long time during operation. If pressing the button momentarily, you can turn the slave on during USB power supply.
- ⑤— Volume-up button:
If you press the button in proper order, the volume of active loudspeaker will gradually increase; keeping the button can continuously turn up the volume of loudspeaker.
- ⑥— Microphone mute button:
If you press the button, all the microphones on slave will temporarily mute; if you need to cancel the mute function, please press the button again.
- ⑦— Digital microphone:
Each mic Pickup the sounds Upto 10ft radial range.
- ⑧ Additional Features:
 - a)An Acoustic Echo Cancellation of >40dB
 - b)It has USB port for charging. Mute button with LED status indicator.
 - c)Frequency Range of 2,400 2,483 GHz
 - d)USB port for Audio Interface
- ⑨ Accessories - Remote control, 1.5M Audio cable, Adaptor, wall- mount screw, Stand pad and other associated accessories.

II. Indicator light of slave



- ①— Indicator light on the lower left: When you press loudspeaker mute button, volume-up button or volume-down button, blue light will be on once. When you press volume-up button or volume-down button to continuously adjust volume, blue light will flick.
- ②—Indicator light on the lower right: If you press the microphone mute button during calls, orange light will be on once.
- ③— Triangular indicator light: When you turn the slave on and operate it, three orange lights will be on once; if three blue lights flashes, it indicates that it is waiting for the wireless connection of host; once the wireless connection is successful, the flashing of blue lights will turn to long blue lights.
If you press the microphone mute button during calls, three orange lights will be on. When built-in batteries run low, three orange lights will flicker, indicating that they need to be charged in a timely manner.
- ④— Charging indicator light: If orange light is on, it indicates that battery is being charged; orange light will turn to green light when it is fully charged.

III. USB power supply and charging

1. Slave is equipped with built-in rechargeable battery. Please make sure that battery is fully charged before first use.
2. Plug the power adapter of slave into AC power socket. When the small end of USB connection wire is plugged into the USB interface of slave, and its big end is plugged into the USB interface of slave, it will charge the slave and supplies power, the slave will be automatically turned on, and charging indicator light will be on in orange.
3. After the built-in battery of slave is fully charged, charging indicator light will turn green from orange.
4. After slave has been charged completely, you can unplug USB connection wire for easy wireless mobile use.
5. When built-in battery runs low in use, three orange triangular lights will flicker;

please properly connect USB interface to USB power adapter by USB connection wire in a timely manner for supplying the power, and charging the built-in battery.

Note:

As consumable parts, built-in batteries will gradually lose its effectiveness after a certain number of charge and discharge.

Functions and Operational Specification

I. Function operation of computer network telephone conference

After the hose which is connected to computer device by USB interface is wirelessly connected to wireless microphone, slave can be used as the external wireless microphone of computer device; after active loudspeaker device is properly connected to the audio output interface of host, it can be used as the external loudspeaker of computer device to hold high-quality network telephone conferences.

1. Preparation before use

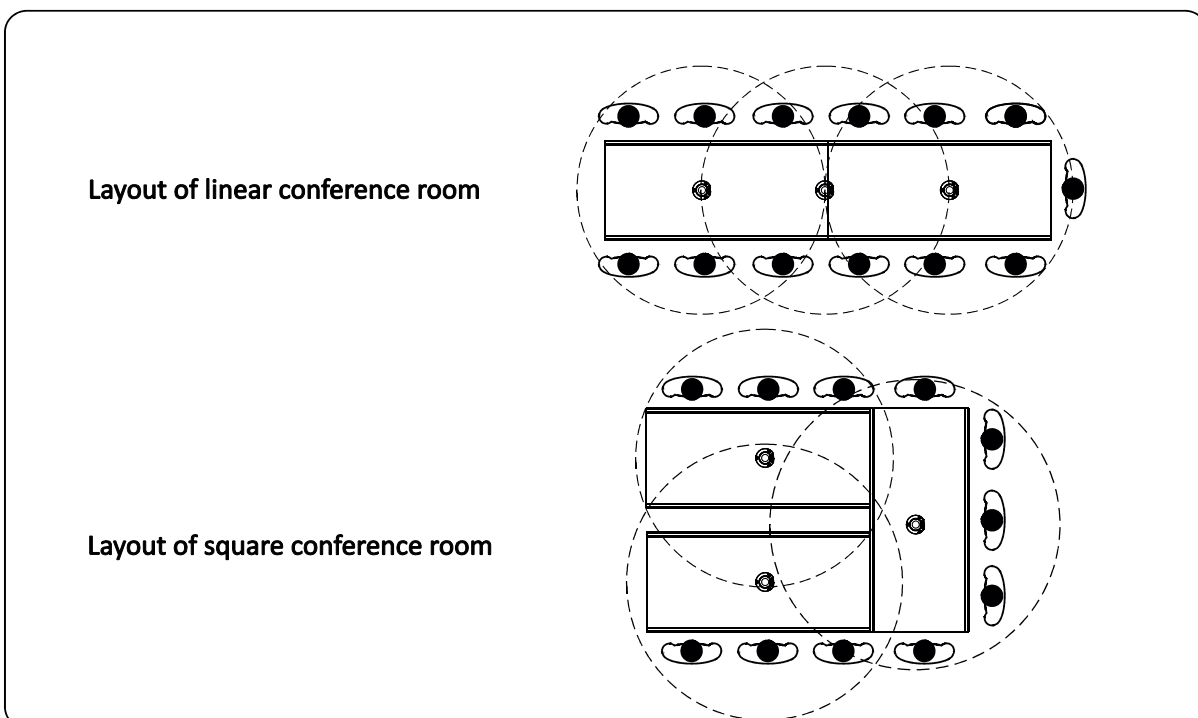
Hose is applicable to the computer device with Windows XP/Windows 7/Windows 8 and other operating systems. USB interface is required to be USB1.1 or above (USB2.0 is suggested); instant communication or VoIP software package (such as QQ and Skype) with the functions of network telephone have been installed in the computer device which is connected to Internet.

The USB interface of host is plug-and-play, so it is unnecessary to install additional driving applications.

2. Description of scene layout

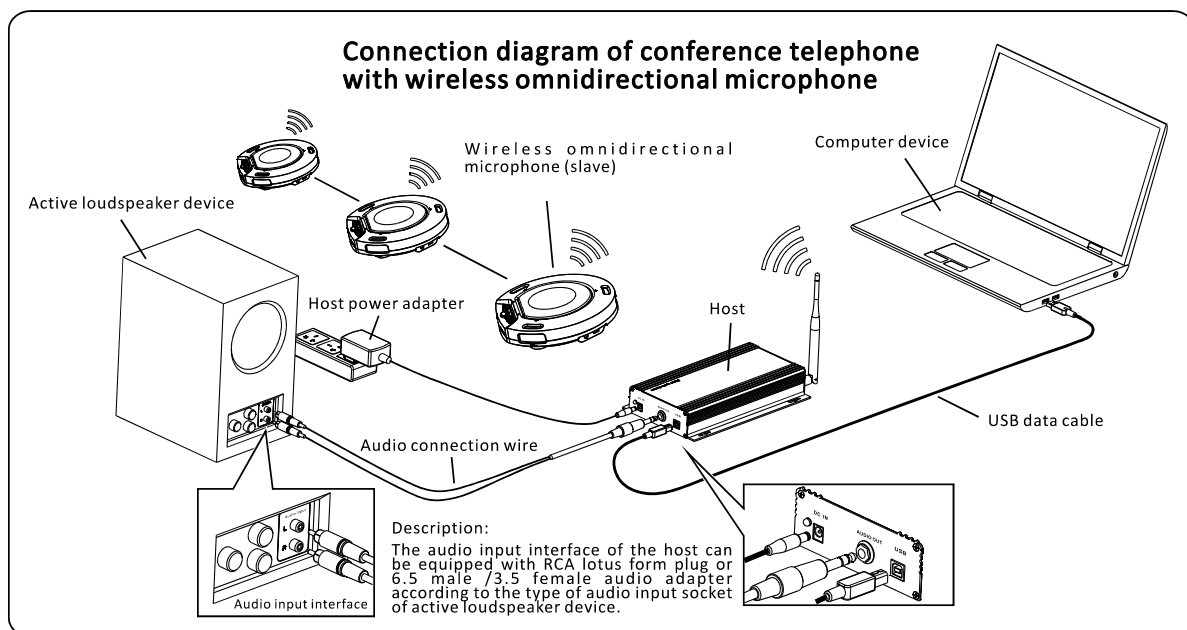
Arrange wireless microphones and active loudspeakers according to conference scenes:

- 1) Active loudspeakers should be more than 3.5m away from all wireless microphones. Echoes may be heard on the opposite side if they are too close.
- 2) The recommended distance among wireless microphones should be about 2m. Place wireless microphones according to two common conference scene layouts-linear or square, as shown below.



3. Installation, connection and start-up

After pressing the On/Off button of any slave and make the phone in standby state, the three triangle blue lights of slave will keep flickering and wait for the connection with the host, and the triangle blue lights of slave will become on normally from flickering, indicating that the host has been connected to the slave wirelessly; after inserting the USB data cable connected to the host into the USB interface of computer device, USB drivers will be automatically installed on your computer device, and the sound of computer and the default device in audio device properties will be automatically included in the device model, indicating that this device has been wire connected to computer device successfully.



Notes:

- 1) You cannot connect more than one speaker devices on your computer, including this device.
- 2) Please directly connect the USB data cable connected to the host to the computer. Operational problems may be caused via a USB hub.
- 3) After the connection is successful, in the sound and audio device properties of computer control panel options, the default device for playing (output) and recording (input) will display the type of this device, otherwise, you need to select and confirm it again.

4. Conference call

Start the application software with VoIP capabilities, conduct call function operations according to the instructions of this software, and then have network conference with the other party.

5. Adjustment of speaker volume

During conference call, if the speaker volume in the conference room is too low or too high, you may press the “Volume Up” or “Volume Down” button of any

slave to adjust proper volume to meet the requirements of conference room, or adjust the volume of speaker on computer device operating system to meet the requirements (the volume adjustment of slave and the volume adjustment of speaker on computer device operating system are synchronous).

This equipment has a certain echo fiction capabilities, and the speaker volume can be turned down if echo comes from the other side due to too high volume in the conference room.

Note: Before connecting the audio output interface of host and active loudspeaker, you must turn the volume to the minimum and then adjust it to suitable volume after proper connection.

6. Adjustment of microphone volume

During conference call, if the sound heard by the other party is too low or too high (or popping sound), you can ask the other party to adjust the reception volume to meet the requirements; if that does not work, you can adjust the volume of recording microphone in the sound proprieties on the control panel in the local computer device.

7. Mute of wireless microphone

During conference call, if you want to mute the sound sent from your conference room, please press the “Microphone Mute” button of any slave, then all the triangle indicator lights on the slave will become orange, and you can only hear the sound from the other party, but the other party cannot hear the sound from your conference room; if you want to cancel mute, please press the “Microphone Mute” button of any slave again, the call of all slaves can be recovered immediately, and at this time all the triangle indicator lights on the slave will become blue from orange.

8. Speaker mute

During conference call, you can temporarily shut down the sound signals from the audio output interface of the host to active loudspeaker by pressing the “Loudspeaker Mute” button of any slave, and at this time the red indicator lights of the host will flicker slowly; if you want to turn on the sound signals of audio output interface of the host, please press the “Loudspeaker Mute” button of any slave again, and at this time the red light of the host which is flicking slowly will become yellow and be on normally.

9. Ending conference call

You can hang up the call with the other party by the telephone software operation methods of computer network to end the network telephone conference.

II. Music playback function

The device can achieve high-quality music playback using active loudspeaker device through the music playback application software of compute.

In this application, you can also press “Loudspeaker Mute” function operation to mute or unmute the speaker of active loudspeaker.