

PeopleLink Eagle 4K

(English Version)

Please read this Manual before setting up PeopleLink Eagle 4K and stick to its requirements strictly for Safety reason. Suggest you save this manual for further inquiries reference.



2021 PeopleLink Unified Communications Pvt. Ltd. All rights reserved.

PeopleLink Unified Communications Pvt. Ltd.

Q3-A3, 10th Floor, Cyber Towers, Hitech City

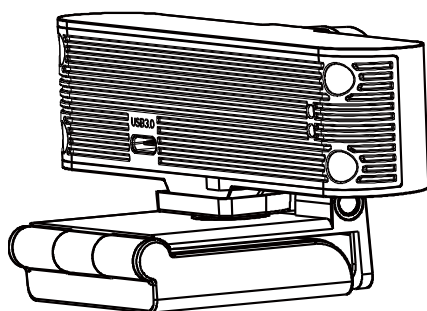
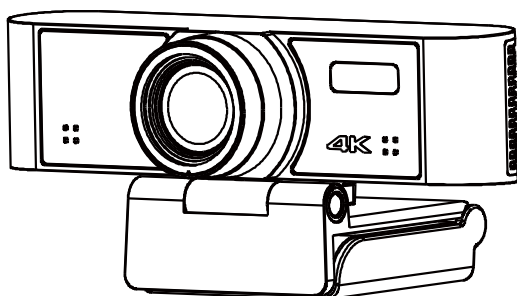
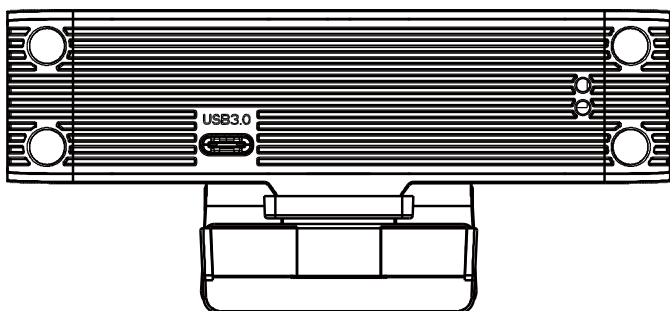
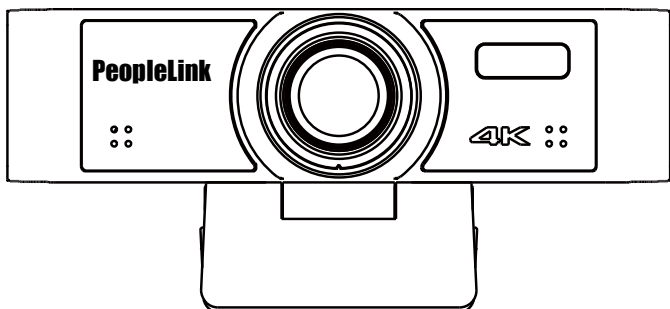
Madhapur, Hyderabad – 500081

India

No part of this document may be reproduced or transmitted in any form or by any means, electronic or mechanical, for any purpose, without the express written permission of PeopleLink Under the law, reproducing includes translating into another language or format. As between the parties, PeopleLink, retains title to and ownership of all proprietary rights with respect to the software contained within its products.

Therefore, you must treat the software like any other copyrighted material (e.g., a book or sound recording). Every effort has been made to ensure that the information in this manual is accurate. PeopleLink, is not responsible for printing or clerical errors. Information in this document is subject to change without

1 Product Appearance



2 Packing List

Name	Quantity
Camera	1
Remote Control	1
USB Cable	1
Quick Start	1

3 Product Features

Ultra HD Super Large Field of View

A new generation of UHD CMOS image sensor, with more accurate native resolution, richer color information, and shooting 4K video with high-definition details. With a 110-degree ultra-large viewing angle and low-distortion 4K lens, the panoramic field of view can be seen.

USB 3.0

Support USB 3.0 interface, power supply, video, audio in one, can support 2 USB video signal sources (optional) + 1 audio source at the same time.

Built-in Microphone Array

Built-in beamforming microphone array, unique noise suppression algorithm and automatic gain algorithm, the pickup distance is up to 6 meters, so that your voice is perfectly presented.

AI Ability

Multi-layer convolutional neural network design, cutting-edge deep learning algorithm, make the camera with intelligent characteristics, high-quality analysis data can be obtained through open API.

Auto Framing

Using advanced deep learning algorithms, it automatically adjusts the viewing angle of the screen according to the people in the detection field of view, eliminating the need for manual adjustment of camera operations, and bringing you a brand-new intelligent experience.

AI Humanoid Tracking

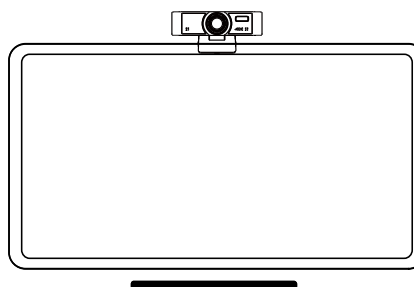
Built-in NNE hardware unit, using deep learning technology, by extracting target features, it can achieve smooth human shape tracking no matter where the face is facing, which is suitable for application scenarios such as speaker automatic tracking.

Convenient Operation

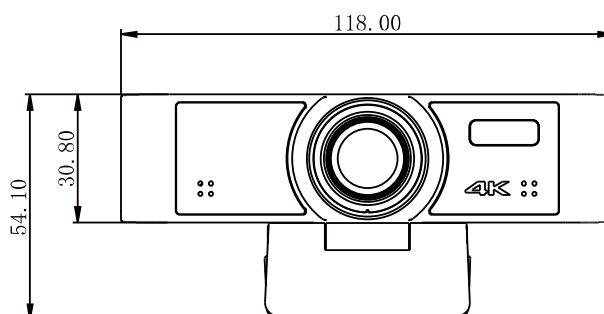
Through the infrared remote control, exclusive software, one-button start automatic frame selection, humanoid tracking, and at the same time you can set preset positions, ePTZ, image parameters, etc.

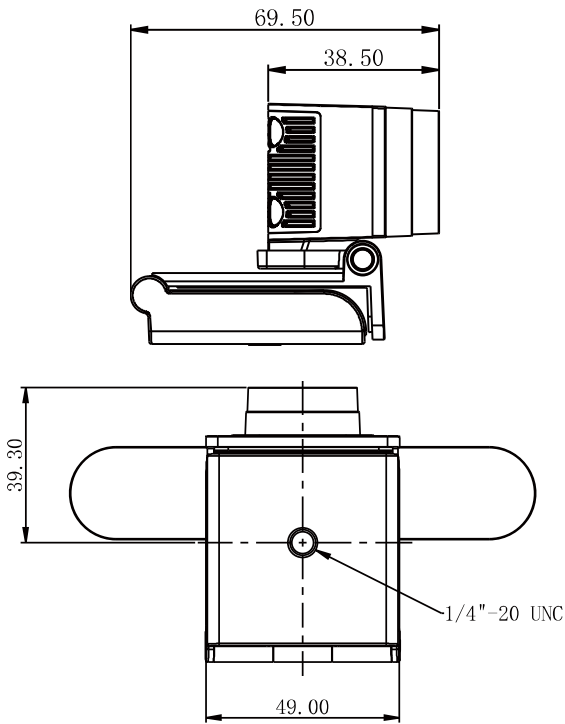
4 Camera Installation

When the monitor thickness is less than or equal to 45mm, the mounting method can be selected to mount the conference camera product on the monitor. The specific installation is shown in the following figure:

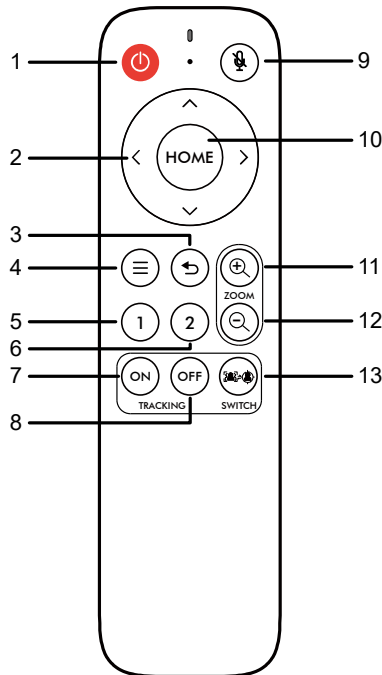


5 Installation Dimension





6 Remote Control



No.	Name	Function Description
1	Standby Key	Turn on/off or wake up the device.
2	Direction Key	Adjust the menu cursor and menu parameters.
3	Return Key	Return to the upper level of the menu.
4	Menu Key	Open the menu or exit the menu.
5	No. 1 Preset Key	No. 1 preset position, long press for 3 seconds to set the preset position, short press to adjust the preset position.
6	No. 2 Preset Key	No. 2 preset position, long press for 3 seconds to set the preset position, short press to adjust the preset position.
7	TRACKING ON Key	Tracking on key, you need to click the SWITCH button first and then click the "ON button" to turn on the tracking function or automatic frame selection function.

No.	Name	Function Description
8	TRACKING OFF Key	Tracking off key, when the tracking function or automatic frame selection function is turned on, directly click the "OFF button" to turn off the tracking function or automatic frame selection function.
9	Mute Key	Turn the microphone on or off. When the microphone is turned off, there is a mute icon on the video.
10	HOME Key	When the menu is not turned on, click the "HOME button" to restore to the state of the maximum angle of view without calling zoom. When the menu is opened, click the "HOME button" to confirm menu and enter submenu.
11	ZOOM + Key	Digital Zoom In (zoom in or zoom out is not supported when the tracking function or the automatic frame selection function is turned on).
12	ZOOM - Key	Digital Zoom Out (zoom in or zoom out is not supported when the tracking function or the automatic frame selection function is turned on).
13	SWITCH Key	Click the first "SWITCH Key", the image display is currently the tracking function (target tracking) or automatic frame selection function (auto framing). Click the second "SWITCH Key" to switch the current function.

7 Maintenance and Troubleshooting

Camera Maintenance

- If the camera is not used for a long time, please disconnect the power after use.
- Use soft cloth or cotton paper to remove dust from the camera housing.
- When cleaning the camera lens, please use dry soft cloth to wipe, if dirt is serious, use neutral cleaner gently. Do not use strong or corrosive detergent, lest the lens scratch, affect the image effect.

Avoid Using

- The camera should avoid shooting particularly bright objects, such as sunlight, lights, etc.
- The camera should not work under unstable lighting conditions, otherwise the image will flash.
- Do not use around facilities that can transmit high-power radio waves, such as television station or radio-transmitting station.

Troubleshooting

Image have jitter after the camera is properly connected.

- 1) Check whether the camera installed position be stabled.
- 2) Check whether have vibrating machinery or object near the camera.

8 Toxic and Harmful Substances

Part Name	Toxic or harmful substances or elements					
	(Pb)	(Hg)	(Cd)	(CrVI)	(PBB)	(PBDE)
Metal	x	o	o	o	o	o
Plastic	o	o	o	o	o	o
Glass	x	o	o	o	o	o
Circuit board	x	o	o	o	o	o
Power	x	o	o	o	o	o
Attached	x	o	o	o	o	o

This form is compiled in accordance with SJ/T 11364.

O: Indicates that the content of the hazardous substance in all homogenized materials of the component is subject to the limit specified in GB/T 26572.

x: Said the hazardous substance in at least one of the components homogenized material content in excess of the GB/T 26572 limit requirements, and there are no mature alternatives.