



V 1.0 - 032024

PeopleLink Speaker Track Camera



PeopleLink Speaker Track camera helps to achieve an intelligent meeting experience, implemented with both audio positioning and intelligent video analysis technologies. It can automatically switch between a close-up image and a full-view image to frame the speaker(s). This frees up camera operation during a meeting and enables meeting attendees to focus more on discussion.

Key Features

- 1/2.8" CMOS, 2.14MP
- 12x optical zoom, up to 72.5° FoV
- Simultaneously output 3G-SDI, HDMI, Ethernet, up to 1080P60 resolution
- Support H.264/H.265 video compression
- Implemented with both audio positioning, body detection and recognition technologies, it can precisely frame the speaker(s)
- Automatically switch between close-up image for speaker(s) and wide-angle image for all attendees
- Built-in image switch rules according to actual meeting scenarios



General Specifications

Camera:

Image Sensor : 1/2.8" CMOS, 2.14MP
Signal Format (SDI): 1080P60, 1080P50, 1080P30, 1080P25, 1080I60, 1080I50, 720P60, 720P50
Focal : f=3.9mm-46.8mm
Iris : F1.6-F2.8
Optical Zoom : 12x
Digital Zoom : 12x
Field of View : 72.5°-6.3°
Focus : Auto, Manual, PTZ Push, One Push
Min. Illumination : 0.5 Lux (Color), 0.1 Lux (B/W)
Shutter Speed : 1/25-1/10,000s
AGC : Auto/Manual
White Balance : Auto, Indoor, Outdoor, One Push Manual, Auto Track
AE Control : Auto, Manual, Shutter Priority, Iris Priority
S/N : ≥50dB
DNR : 2D/3D
BLC : Support
Pan Range : 90°~+90°
Tilt Range : -30°~+90°
Pan Speed : 0.1°~120°/s
Tilt Speed : 0.1°~80°/s
Preset Number : 256
OSD : Yes
Image Flip : Yes

Full-View Camera:

Image Sensor : 1/2.5" 4K CMOS, 8.57MP, 2.8mm
Lens : Prime lens, 4X Digital Zoom
Field of View : 98°
Video Adjustments : Support ePTZ

Network:

Max. Image Size : 1920×1080 @60 fps
Video Compression : H.265,H.264
Audio Compression : AAC
Protocol : HTTP, RTSP, RTMP, RTP, TCP, UDP, ONVIF
Dual Stream : Support 1 Tracking, 1 Full-View, 1 Switching, three streams in total

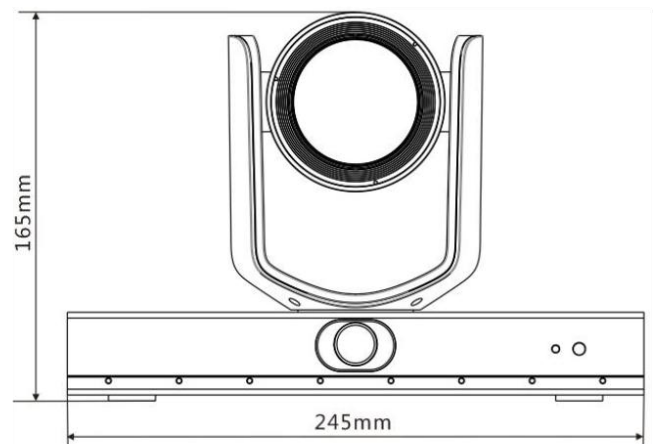
Interface:

Video Output : 1×HDMI Interface,1×3G-SDI Interface
Audio Input : 2×LINE IN, including one channel with EC
Audio Output : 1×LINE OUT
Network Interface : 1×10M/100M
USB Interface : 1×USB2.0 , Support UVC/ UAC
Control Interface : 1×RS-232

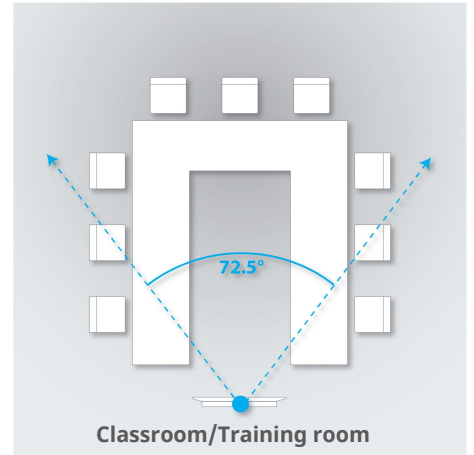
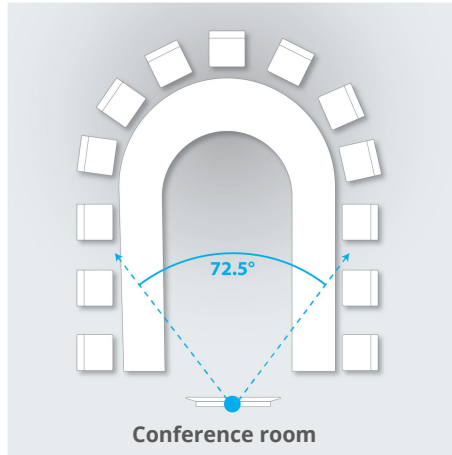
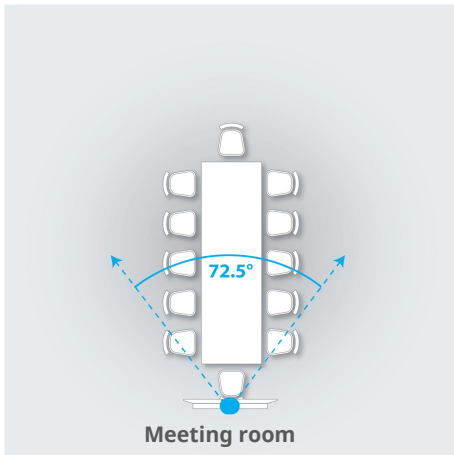
General:

Control Protocol : VISCA
Address : 1~6
Power Supply : DC12V
Power Consumption : <20W
Working Temp : 0°C ~ + 40°C
Storage Temp : -20°C ~ +60°C
Dimension (LxWxH) : 245 mm x 145mm x 165mm
Weight : <2kg

Front

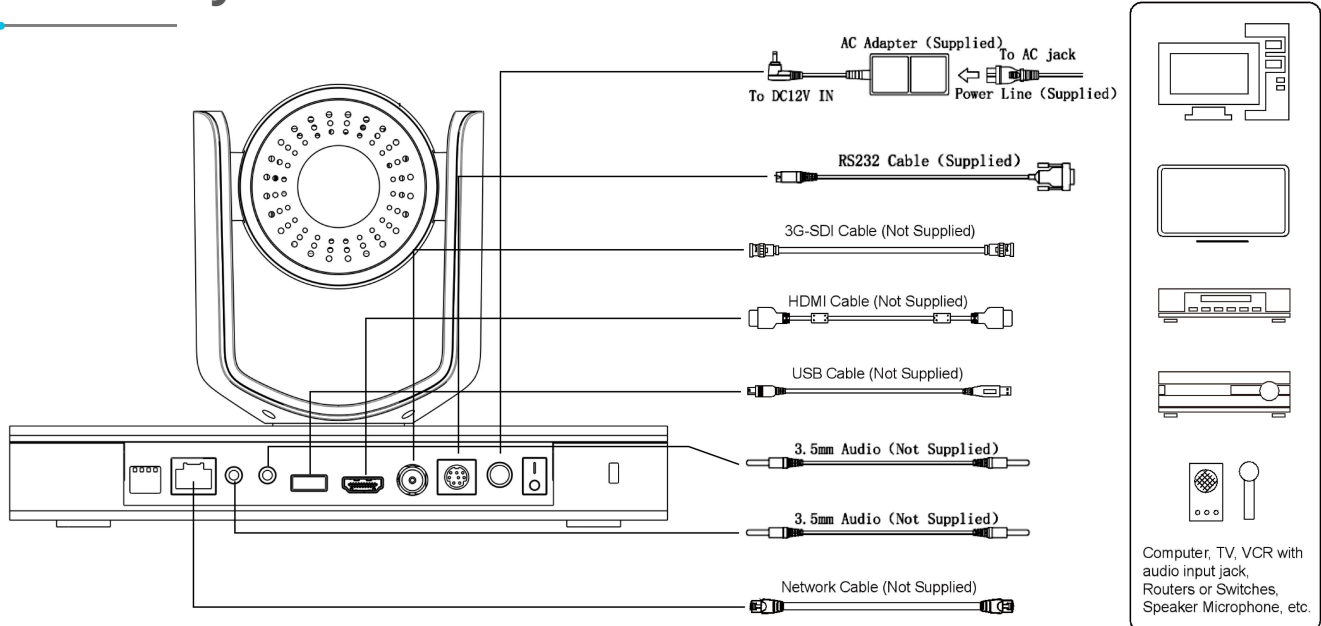


Application Scenarios



Disclaimer:- Room setup diagrams provided for reference only. Actual room setup and size may vary as per requirements.

Connectivity



Ordering Information

PeopleLink Speaker Track Camera
Single motorized PTZ Camera with USB Connectivity

: PPU-PVC-PCI-FHD2K-S12X-USB

LEARN MORE

For more information on Speaker Track Camera [Click Here](#)

SALES AND INQUIRIES

Global Headquarters

Q3-A3, 10th Floor Cyber Towers,
HITEC City, Hyderabad,
Telangana 500081, **India**
Phone: **+91 9100123013**
Email: **vc@peoplelinkvc.com**

International Contact Numbers

USA: +1 669-696-8383
Australia: +61 370 037070
France: +33 6 80 75 26 42
Middle East: +966 5300 19292
UK: +44 20 4571 5454

Tech Support

Toll Free: 1800 208 3399
customersupport@peoplelinkvc.com